

### Image



### Key Features

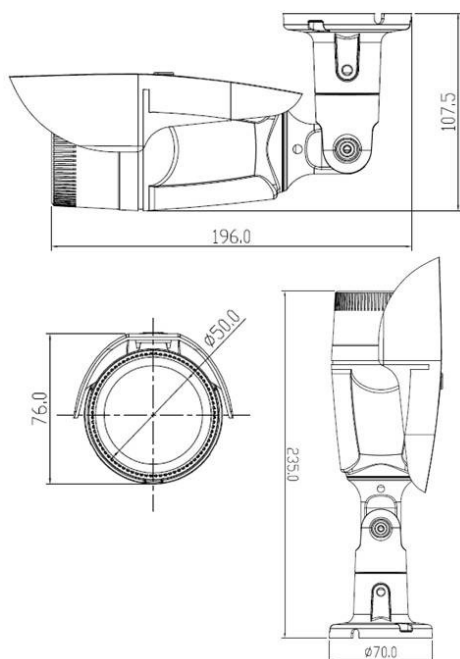
- 1/3 Inch 960H CCD
- Horizontal Resolution 700TV Lines
- Min. Illumination 0.0006 Lux @ F1.2 ( Color , Sense up 512x ), 0Lux ( IR ON)
- Digital WDR
- Coaxitron Control (Pelco-C)
- 2D/3D DNR (Digital Noise Reduction)
- 3.6mm Fixed focal Lens
- 36 ea IR LED : 30M
- Weather-Proof : IP 65

### Ordering Number

- SPI-335NB2-36I : NTSC, SDN, 36ea IR LED
- SPI-335PB2-36I : PAL, SDN, 36 ea IR LED

### Dimensions

Unit : mm



### Technical Specifications

Model	SPI-335NB2-36I	SPI-335PB2-36I
<b>VIDEO</b>		
Imaging Device	1/3" 960H CCD Image Sensor	
Signal System	NTSC	PAL
Total Pixels	1020(H) x 508(V)	1020(H) x 596(V)
Effective Pixels Number	976(H) x 494(V)	976(H) x 582(V)
Scanning System	2:1 Interlace	
Sync System	Internal	
Scanning Frequency	15.734KHz(H)/59.94Hz(V)	15.625KHz(H)/50Hz(V)
Horizontal Resolution	700TV Lines	
Min. Illumination	0.0006 Lux @ F1.2( Sense up 512x,) 0Lux( IR ON)	
S/N Ratio	More than 50dB (AGC OFF)	
Video output	CVBS : 1.0Vp-p / 75Ω Composite	
<b>Board Lens</b>		
Mount Type	Board (M12 x 0.5 Pitch)	
Lens Type	Fixed	
Focal length	3.6 mm	
Max. Aperture Ratio	F2.0	
<b>OPERATIONAL( Coaxitron Control)</b>		
OSD Language	English, Chinese, Simplified Chinese	
Electronic Shutter Speed	1/60~1/120,000	1/50~1/120,000
Flickerless	1/100sec	1/120sec
Brightness	0~20	
AGC	OFF/ON ( 0~ 20 )	
DWDR	OFF/Manual/Auto	
White Balance	ATW/Push/MANUAL	
BLC	OFF/ON	
Day & Night	Day/Night/Auto/EXT/CDS	
Motion	OFF/ON(4 Area)	
Privacy	OFF/ON(8 Area)	
Defog	OFF/Manual/Auto	
Camera Title	OFF/ON	
Camera ID	0 ~ 255	
Protocol	Coaxitron( Pelco C )	
BAUD RATE	2400, 4800, 9600, 19200, 38400, 57600, 115200	
Lens Shading	OFF/ON(0~20)	
DNR	OFF/Low/Middle/High	
MIRROR	OFF/ON	
Display	Disp Sel/Set Title/Language/Setup status	
Display Sel.	ID/TITLE	
Sharpness	0 ~ 20	
High Light Compensation	OFF/ON	
<b>ENVIRONMENTAL</b>		
Operating Temperature	-10℃ ~ +50℃	
Operating Humidity	Less than 80% RH( Non-condensing)	
<b>ELECTRICAL</b>		
Input Voltage	DC12V ±10%	
Power Consumption	Max. 4.5W ( IR LED ON)	
<b>MECHANICAL</b>		
Color	Dark Grey	
Material	Aluminum	
Dimensions	235 mm x 50Ø	
Weight	Approx. 600g	

All specifications are subject to change without notice